

# BROCTON 68" CAST IRON ROLL TOP TUB

Cat. No.  
CTR67



L: 68"  
W: 30-1/8"  
H: 24-3/4" (from floor to top of tub)  
19-1/4" (from bottom of tub to top of tub)

## Features:

- ▶ Inside finish is white enamel
- ▶ Cast Iron ball and claw feet available in 8 finishes or unfinished
- ▶ Tub exterior is white (epoxy)
- ▶ 3-3/8" centers in tub wall
- ▶ Non-skid strips
- ▶ Feet are attached and leveled before shipment
- ▶ Tub is thoroughly inspected before shipment

## Foot Finishes:

UF Unfinished  
BL Painted Black  
BQ Painted Bisque  
PB Polished Brass



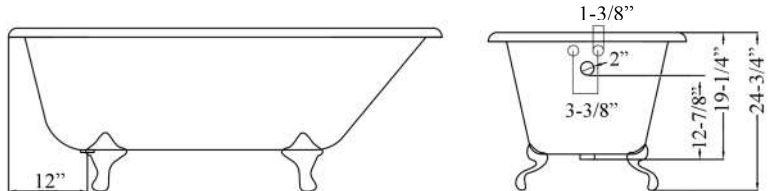
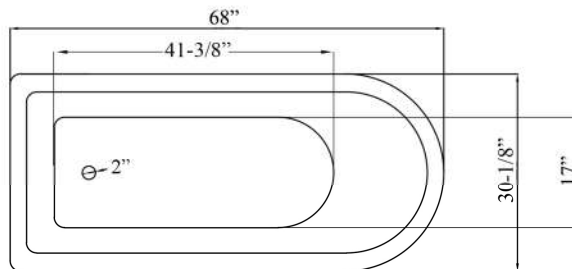
CP Polished Chrome  
WH Painted White  
PN Polished Nickel  
SN Brushed Nickel  
ORB Oil Rubbed Bronze

**Custom Colors Available** (inside of tub is always white enamel):  
Painted bathtubs are considered "special order" and are not returnable  
\$160 Bisque or Black \$250 Designer Color

### The following is recommended for CTR67 tubs with faucet holes:

- Tub wall-mounted faucets or hand-held showers: part# 4022, 4025, 4035
- Tub wall-mounted faucets for use with risers: part# 4001, 4013, 4023, 4030, 0431
- Double offset bath supplies: part #5576
- Leg tub drain: part #5599
- Complete shower unit: part# 4124, 4143

Gallon Capacity: 57  
Shipping Weight: 502 lbs.  
Empty Weight: 309 lbs.  
Filled Weight: 785 lbs.



# TUB FILLER

Cat. No.  
4051



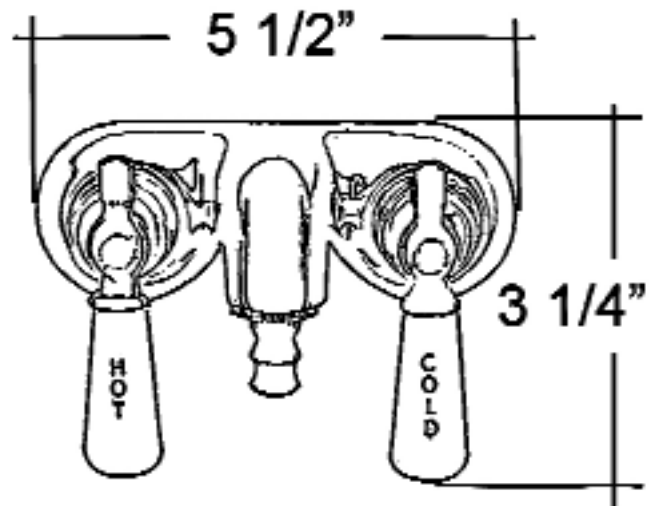
L: 3-1/4"  
W: 5-1/2"  
D: 3-3/4"

## Features:

- ▶ Old style spigot
- ▶ 1/4 Turn ceramic disc cartridges
- ▶ 3-3/8" Centers for tub wall mount installation
- ▶ 3/4" Nipples
- ▶ Porcelain lever handles
- ▶ Flow rate is 3.6 GPM
- ▶ IAPMO approved
- ▶ For use with double offset supplies #5576

## Finishes:

- CP Polished Chrome
- PB Polished Brass



Dimensions are nominal and may vary. Dimensions and specifications subject to change without notice.

# DOUBLE OFFSET BATH SUPPLIES

Cat.No.  
5576



H: 24"

OD: 1/2"

## Features:

- ▶ For use with faucets mounted to the tub wall
- ▶ No Stops
- ▶ 1/2" Compression inlet
- ▶ 3/4" Compression outlet
- ▶ 0.500" Outer diameter
- ▶ 0.440" Inner diameter
- ▶ 0.030" Thickness of the wall
- ▶ IAPMO approved
- ▶ Available in 5 finishes

### Compliance Certification

Meets or exceeds the following specifications: ASME-A112 (and 19.6M) for Vitreous china fixtures. ASME 112.19.9M for fire clay fixtures.

## Finishes:

**CP** Polished Chrome  
**PB** Polished Brass  
**ORB** Oil Rubbed Bronze

**PN** Polished Nickel  
**BN** Brushed Nickel



**Use on concrete floors requires special installation. We recommend using a plumbing professional.**

Dimensions and specifications subject to change without notice.

# LEG TUB DRAIN

Cat. No.  
5599



Escutcheon Height: 1-1/4"

## Features:

- ▶ Twist-and-lift stopper
- ▶ Includes deep escutcheon
- ▶ Height adjustable 15"-18"
- ▶ Depth adjustable 12"-14"
- ▶ Includes deep escutcheon
- ▶ IAPMO approved
- ▶ Available in 5 Finishes

## Finishes:

- CP** Polished Chrome
- BP** Polished Brass
- SN** Brushed Nickel
- PN** Polished Nickel
- ORB** Oil Rubbed Bronze

## #5599 Leg Tub Drain



Dimensions and specifications subject to change without notice.